

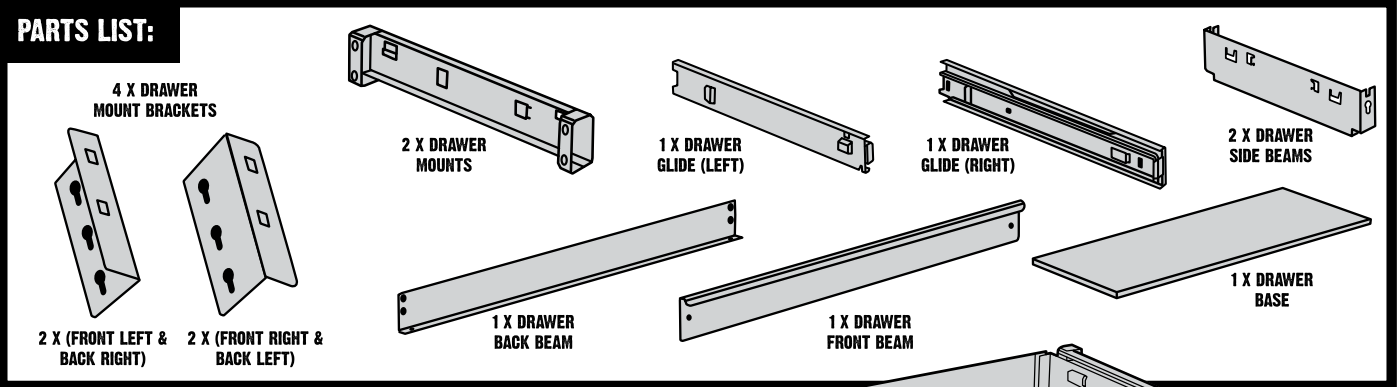
DRAWER KIT

ASSEMBLY INSTRUCTIONS

TOOLS REQUIRED: RUBBER MALLET

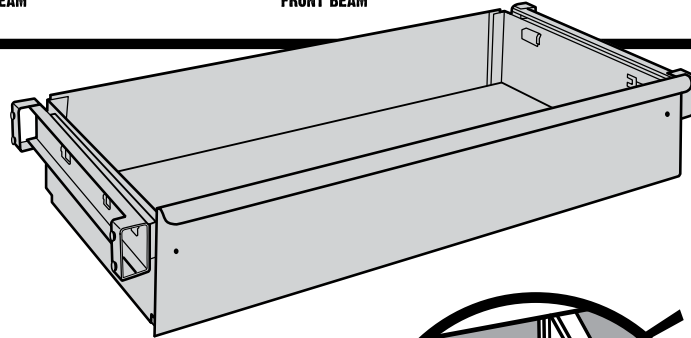
WARNING: HANDLE CUT METAL EDGES CAREFULLY.

PARTS LIST:



PLEASE NOTE:

WE RECOMMEND PLACEMENT OF THE RACK IT DRAWER KIT DIRECTLY UNDER A SHELF OF THE RACK IT UNIT. THE PLACEMENT SHOWN IN THESE INSTRUCTIONS IS TO CLEARLY DEMONSTRATE THE ASSEMBLY PROCESS.



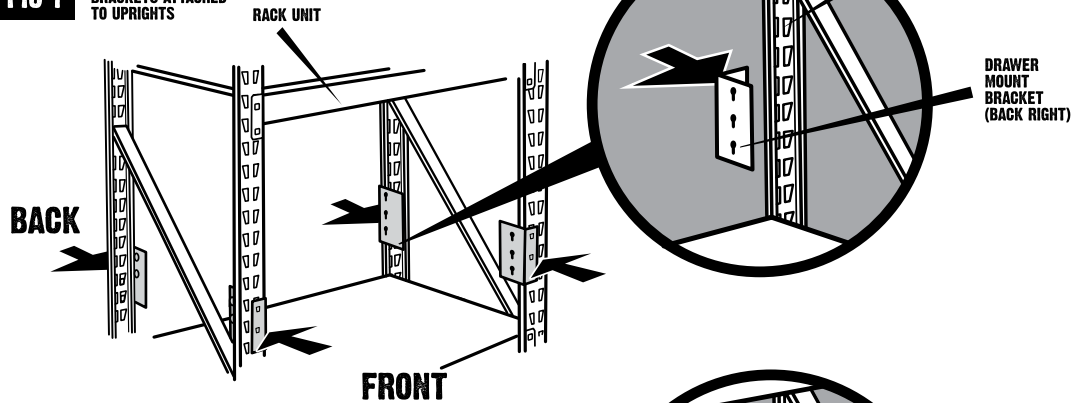
1. Attach the 2 x front and 2 x back Drawer Mount Brackets to Keyhole Uprights at desired height, by slotting lugs in Brackets into slots in Uprights.

IMPORTANT:

Ensure front and back Brackets are in correct position. Ensure Keyholes are correct way up. **PIC 1**

PIC 1

4 X DRAWER MOUNT BRACKETS ATTACHED TO UPRIGHTS



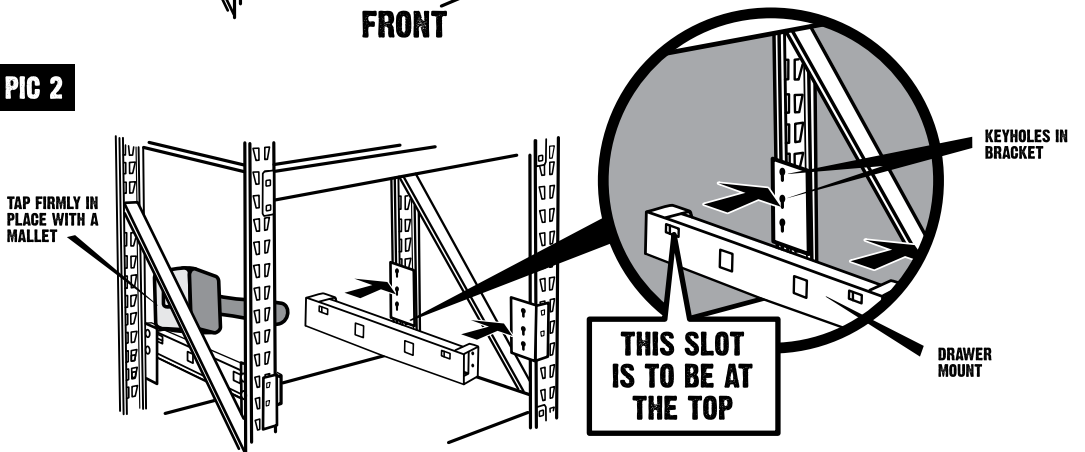
2. Attach the 2 Drawer Mounts by slotting the Keyhole Pins into the Keyholes in the Drawer Mount Brackets and tapping firmly in place with a mallet.

NOTE:

Ensure the Drawer Mounts are the correct way up with slots at the top. **PIC 2**

PIC 2

TAP FIRMLY IN PLACE WITH A MALLET

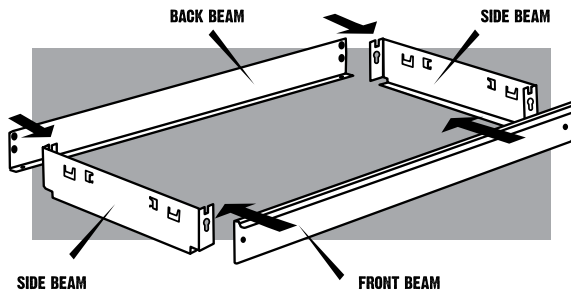


3. Assemble the Drawer: Fix the Back Beam and Front Beam to the 2 Side Beams by slotting the Keylock Pins in the Back and Front Beams into the Keyholes in the Side Beams and tapping firmly with a mallet

NOTE:

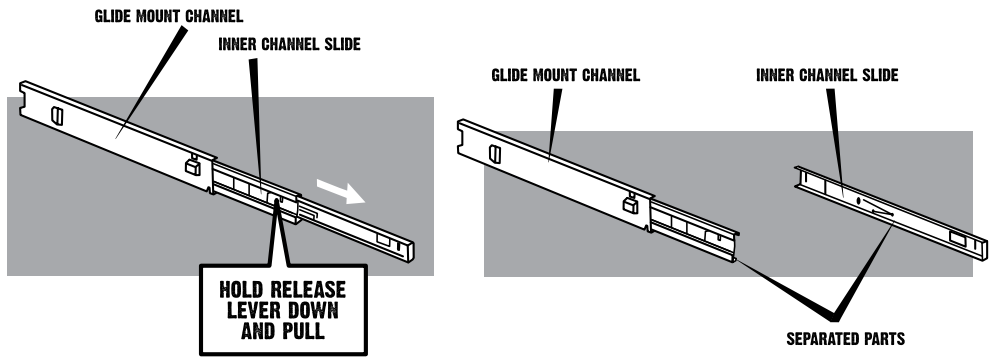
Fix one corner at a time. Ensure flanges on all Beams are at the bottom. **PIC 3**

PIC 3



4. The Drawer Glides:
The Glide Mount Channel and the Inner Channel Slide of the Drawer Glides must be separated before fixing to the Drawer assembly.
Fully extend the Drawer Glide and push the black release lever down (on the Inner Channel Side) and pull as shown in **PIC 4**

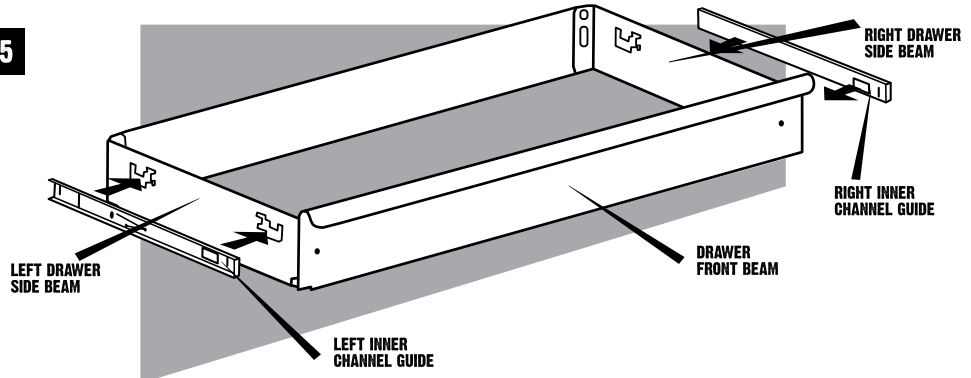
PIC 4



5. Attach the Inner Channel Glides to the Drawer Side Beams by inserting the tabs into the slots and sliding back to lock together.

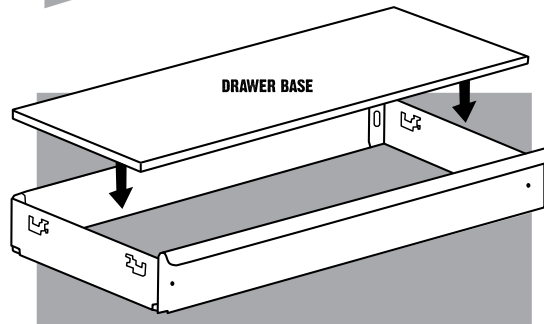
PIC 5

NOTE:
Attach **LEFT** Inner Channel Guide to **LEFT** Drawer Side Beam, and **RIGHT** Inner Channel Guide to **Right** Drawer Side Beam. **PIC 5**



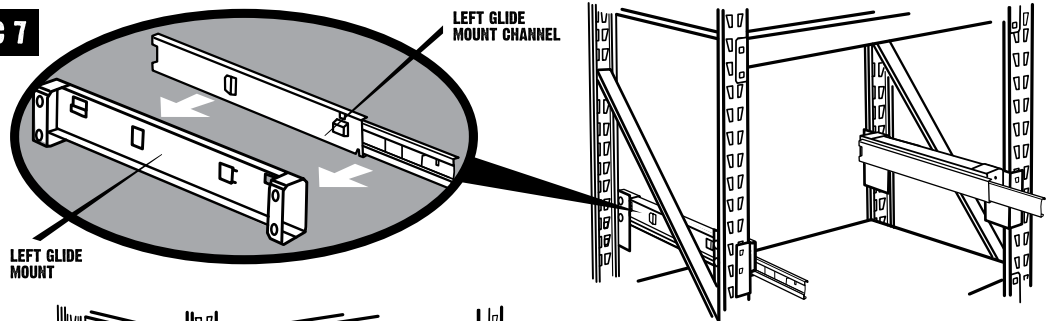
6. Fit the Drawer Base to the Drawer assembly. PIC 6

PIC 6



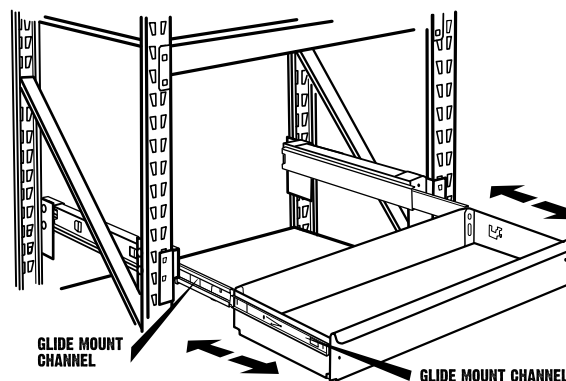
7. Attach the LEFT Glide Mount Channel to the LEFT Drawer Mount on your Rack Unit by inserting the tabs into the slots and sliding back to lock together. Then attach the RIGHT Glide Mount to the RIGHT Drawer Mount. PIC 7

PIC 7



8. Carefully insert the Drawer Inner Channel Glides into the Glide Mount Channels on your Rack Unit, keeping it square with the Rack Unit. Then move the Drawer in and out until the parts lock together. PIC 8

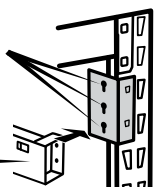
PIC 8



PIC 9A

3 X KEYHOLES IN DRAWER MOUNT BRACKET

DRAWER MOUNT



PIC 9B

NO OPEN SLOT BETWEEN
TOP BRACKET: DIRECTLY UNDERNEATH SHELF BEAM
NO OPEN SLOT BETWEEN

2ND BRACKET

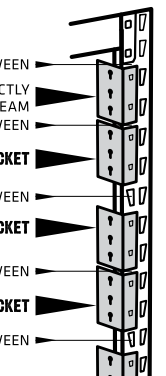
1 X OPEN SLOT BETWEEN

3RD BRACKET

NO OPEN SLOT BETWEEN

4TH BRACKET

1 X OPEN SLOT BETWEEN



Banking Multiple Drawers on top of each other:

When more than one Drawer is to be installed, follow these instructions and recommendations for positioning of Drawer Mount Brackets (**Pic 9A**) and Drawer Mounts (**Pic 9B**):

The sequence for positioning the Drawer Mount Brackets to the Uprights is:

Top Drawer Mount Brackets are placed directly underneath Shelf Beam.

2nd Drawer Mount Brackets are placed directly underneath the Top Drawer Mount Brackets (no

slots left open between.

3rd Drawer Mount Brackets are placed underneath the 2nd Drawer Mount Brackets, leaving one slot open between.

4th Drawer Mount Brackets are placed directly underneath the 3rd Drawer Mount Brackets (no slots left open between).

Repeat this sequence for additional Brackets below the 4th Bracket.

The sequence for positioning the Drawer Mounts to the Drawer Mount Brackets is:

Top Drawer Mounts - position in the 2 top keyholes of the top Brackets.

2nd Drawer Mounts - position in the bottom 2 keyholes of the 2nd Brackets.

3rd Drawer Mounts - position in the top 2 keyholes of the 3rd Brackets.

4th Drawer Mounts - position in the bottom 2 keyholes of the 4th Brackets.

Repeat this sequence for additional Drawers below the 4th Drawer.