

ITEM CODE: 01902

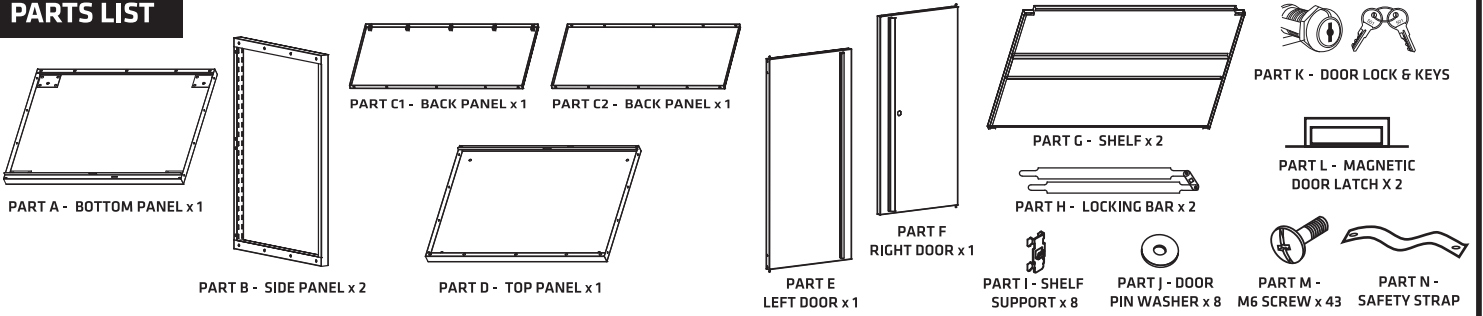
VERY IMPORTANT

Please read the instructions completely before commencing assembly. Unpack the unit and verify that you have all parts listed below. Assemble the unit on a solid, level surface.

SAFETY TIP

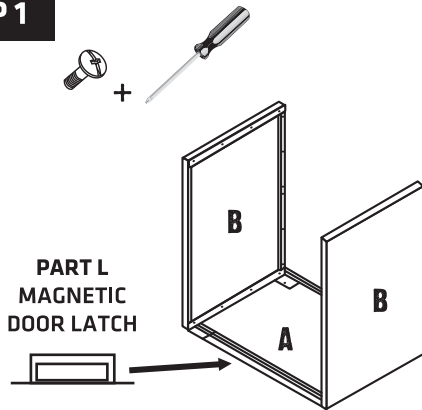
When assembling or installing this product wear protective gloves and eyewear

PARTS LIST



PLEASE NOTE: If using an electric screwdriver only loosely tighten screws, finish tightening with hand screwdriver to avoid damage.

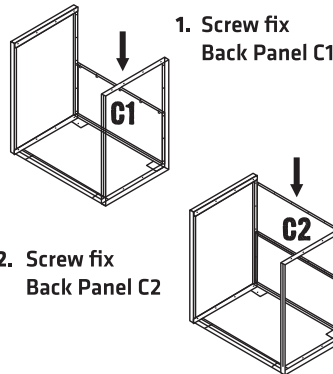
STEP 1



FIX SIDE PANELS TO BASE

1. Start with Bottom Panel (A) and screw fix Side Panel (B). Fit the other Side Panel (B).
2. Fit Magnetic Door Latch (L) into pre-punched hole.

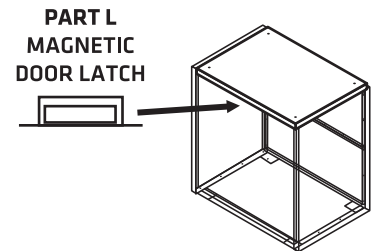
STEP 2



FIX BACK PANELS

Back Panel (C1) has 5 x M6 Nuts pre-fitted along the top lip. Screw-fix C1 to the Bottom Panel (A) first, with M6 Nuts to the top edge. Screw-fix Top Panel (C2) to Bottom Panel (C1).

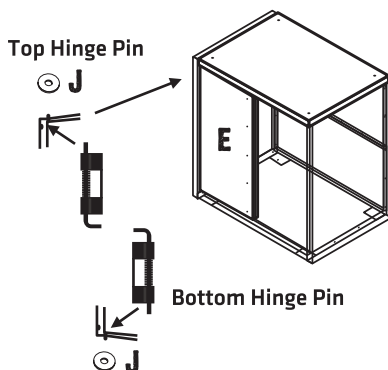
STEP 3



FIT TOP PANEL

1. Screw TOP Panel (D) onto the partially assembled unit.
2. Fit the top Magnetic Door Latch (L) into the pre-punched hole.

STEP 4

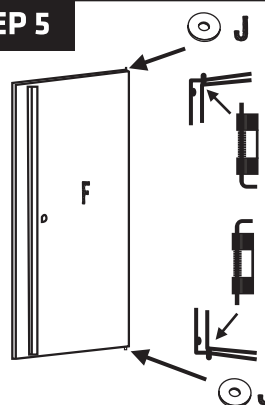


FIT LEFT HAND DOOR

To fit Left Hand Door (E):

1. Fit the supplied washer (J) on the Hinge Pin so it sits between the door and the cabinet
2. The Top and Bottom Hinge Pins are located on the inside of the door. They are spring loaded, Retract the pin far enough to slip it into the pre-drilled holes.

STEP 5

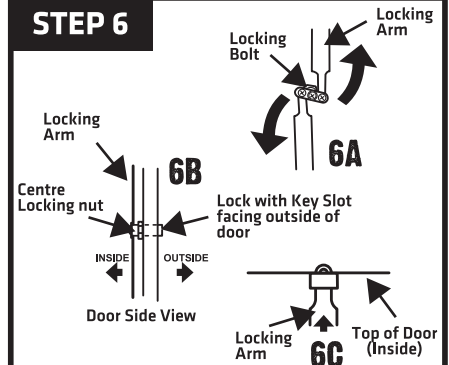


FIT RIGHT HAND DOOR

To fit Right Hand Door (F):

1. Use the same steps as Left Hand Door (Step 4).
2. Fit the supplied washer (J) onto the Hinge Pin so that it sits between the door and the cabinet.
3. Retract the spring on the Hinge Pin far enough to slip into the pre-drilled holes.

STEP 6



FIT LOCK TO DOORS

Fit the Locking Arms/Lock Assembly to the inside of the Right Door:

1. Open out the Locking Arms as shown (6A). Insert the Lock Bolt through the hole in the door (with the Key Slot facing the Outside of door) and secure the Centre Locking Nut using a spanner and a screwdriver (6B).
2. Insert the top and bottom Arms into the Mounts located at the top and bottom of the Door (6C).
3. Once Lock and Locking Arms are assembled, check to ensure Locking Arms operate correctly when turning key in lock.

ITEM CODE: 01902

VERY IMPORTANT

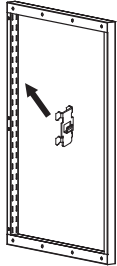
Please read the instructions completely before commencing assembly. Unpack the unit and verify that you have all parts listed below. Assemble the unit on a solid, level surface.

SAFETY TIP

When assembling or installing this product wear protective gloves and eyewear

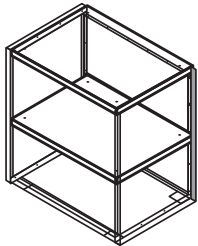
STEP 7

FIT SHELVES

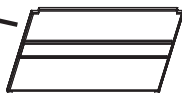


Fit Shelf Supports (I) x 8 (4 per Shelf at desired shelf height) into the vertical track located in each corner of the cabinet.

Fit each Shelf onto the 4 Shelf Supports.



Cut Out Corner fits to the BACK of the Cabinet.



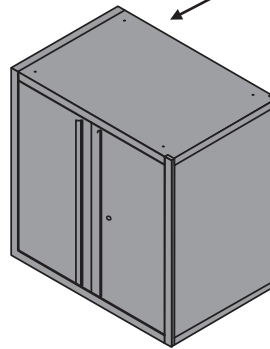
OPTIONS

RACK IT PRO CASTOR KIT

Item No. 01907 (sold separately)
Easily fix castors to make a rolling unit.

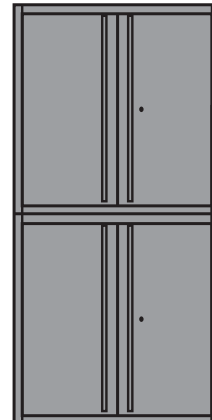
Stack and join 2 x 2 Door Cabinets together, or fit the 2 Door Cabinet on top of the **RACK IT PRO 4 DRAWER UNIT** (Item No. 01904). The Top Panel (Part D) is supplied with 4 x pre-fitted nuts. The Bottom Panel (Part A) has matching pre-punched holes so the 2 units can be bolted together. Supplied with 4 x M6 Bolts to fix.

4 x fixing points to join 2 units

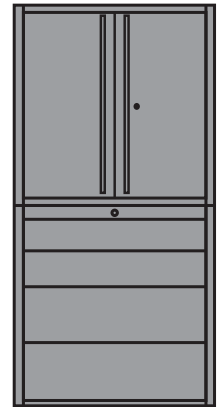


JOINING 2 RACK IT PRO UNITS TOGETHER

✓ CORRECT

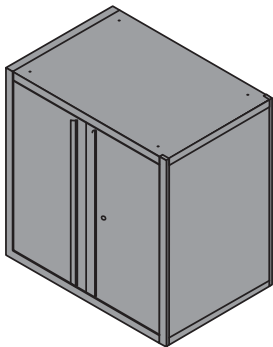


✓ CORRECT



RACK IT PRO 4 Drawer Unit (Item No. 01904)

STEP 8



Fix the Safety Strap to the rear of the Cabinet, using a suitable self-drilling TEK screw. Fix the Strap to the Top Panel, not the Back Panel. Fix the other end of the Safety Strap to the wall.

FIX SAFETY STRAP

We strongly advise that you use the wall Safety Strap (N) provided to prevent the unit from toppling.

Seek advice from a qualified tradesperson on how to attach this safety strap to your specific wall.

No fasteners are supplied with the Strap as requirements will differ depending on location.

Use a suitable self-drilling TEK screw to fix the Strap to the Cabinet so it can be positioned to suit your specific situation.

The Strap should be fixed to the back of the with the screw placed into the Top Panel, not the Back Panel.

Use a suitable fastening system for the wall type, e.g. plasterboard, timber, masonry, etc.



THIS PRODUCT SHOULD BE ANCHORED TO THE WALL OR OTHER SUITABLE SURFACE TO AVOID SERIOUS INJURY OR DEATH.

To help avoid any serious injury or death, this product has been supplied with a wall strap to prevent toppling. We strongly recommend that this product be permanently fixed to the wall or other suitable surface. Fixing devices are not included since different surface materials require different attachments. Please seek professional advice if you are in any doubt as to how to permanently fix the product or as to what fixing devices to use. Check anchors regularly.

DO NOT FIX 2 x 4 DRAWER UNITS!

✗ INCORRECT

