

ITEM CODE: 01903

### VERY IMPORTANT

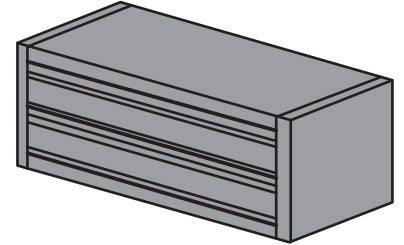
Please read the instructions completely before commencing assembly. Unpack the unit and verify that you have all parts listed below. Assemble the unit on a solid, level surface.

### SAFETY TIP

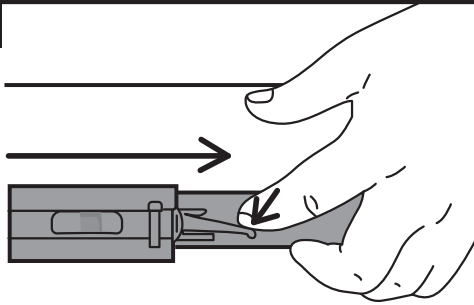
When assembling or installing this product wear protective gloves and eyewear

The 2 DRAWER UNIT is supplied fully assembled. However you may want to fix it to your RACK IT 15mm MDF Shelf to prevent the drawer moving.

These instructions below show the steps required to remove and refit the bottom drawer to allow the unit to be screw-fixed to the MDF Shelf.

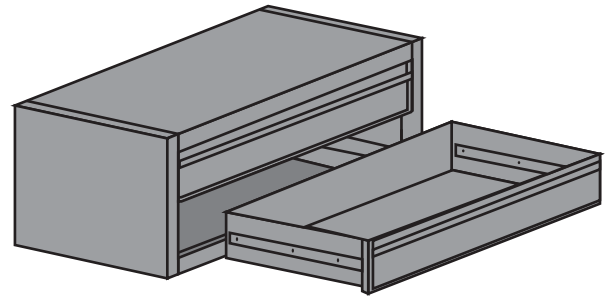


### STEP 1



#### REMOVE THE BOTTOM DRAWER

1. Gently pull the Bottom Drawer out to full extension.
2. Depress the Black Toggle and continue to pull the Drawer forward. You will feel the catch release and the Drawer will come out of the Runner.

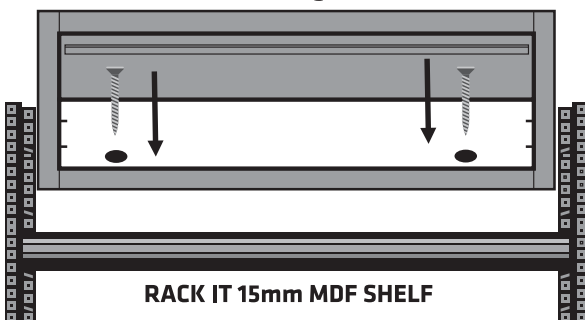


#### IMPORTANT:

Once Drawer is free from the Cabinet place it in a safe location to prevent accidental damage.

### STEP 2

Fix screws through the holes



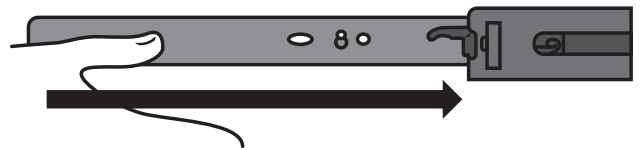
RACK IT 15mm MDF SHELF

#### SCREW FIX CABINET TO RACK IT MDF SHELF

The Cabinet has 2 x 5mm screw holes in the bottom panel.

**NOTE:** Screws are not supplied as individual circumstances may differ. Use a screw no longer than 15mm.

### STEP 3



#### RE-ASSEMBLE DRAWER AND CABINET

You can now insert the Drawer back into the Cabinet.

1. Carefully line up the inner and outer parts of both Drawer Runners.
2. Once both Runners are touching, gently push the drawer closed making sure both Drawer Runners are entering the Cabinet Runner parts.
3. You may have to slightly open then close the Drawer a few times until you feel both Runners fully engage.