

# RACK IT

1000KG

## 3 SHELF WIRE STARTER KIT

BUILT UNIT DIMENSIONS:  
2135MM H  
1940MM W  
640MM D  
ITEM CODE: 02838



**THIS PRODUCT SHOULD BE ANCHORED TO THE GROUND OR WALL TO AVOID SERIOUS INJURY OR DEATH.**

TO HELP AVOID ANY SERIOUS INJURY OR DEATH, THIS PRODUCT HAS BEEN FITTED WITH A GROUND MOUNTING BRACKET TO PREVENT TOPPLING. WE STRONGLY RECOMMEND THAT THIS PRODUCT BE PERMANENTLY FIXED TO THE GROUND OR WALL. FIXING DEVICES ARE NOT INCLUDED SINCE DIFFERENT SURFACE MATERIALS REQUIRE DIFFERENT ATTACHMENTS. PLEASE SEEK PROFESSIONAL ADVICE IF YOU ARE IN DOUBT AS TO WHICH FIXING DEVICE TO USE. CHECK ANCHORS REGULARLY.

### PARTS LIST:



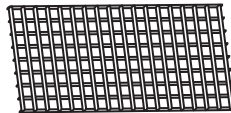
6 X 1800MM BEAMS



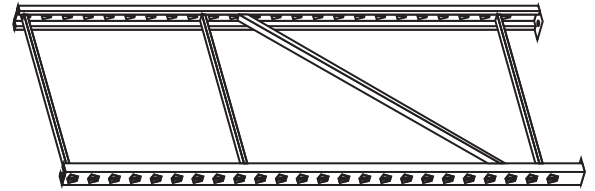
12 X SAFETY PINS



12 X SHELF SUPPORT BRACES

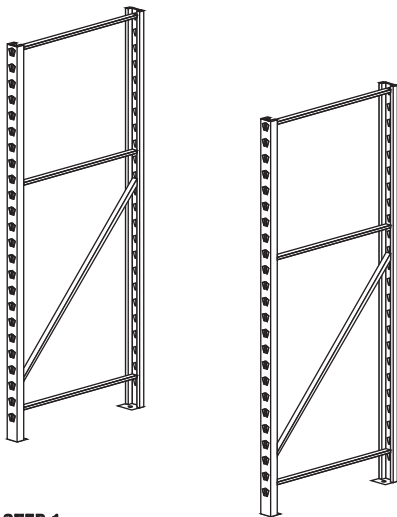


6 X WIRE SHELVES (900 W X 600MM D)



2 X UPRIGHTS (2100 H X 640MM D)

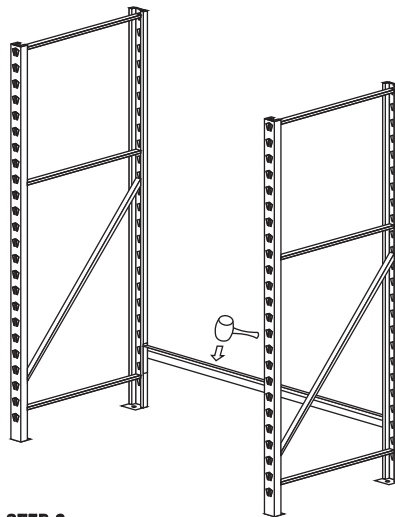
TOOL REQUIRED: RUBBER Mallet



#### STEP 1:

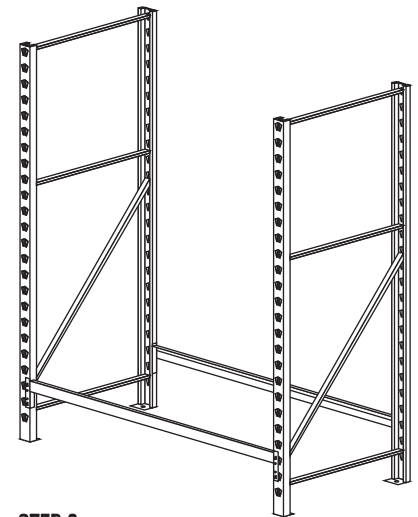
On level ground and close to the area in which you will set up the unit; stand up both Uprights approximately 1800mm from each other.

Note: We suggest setting up using two people.



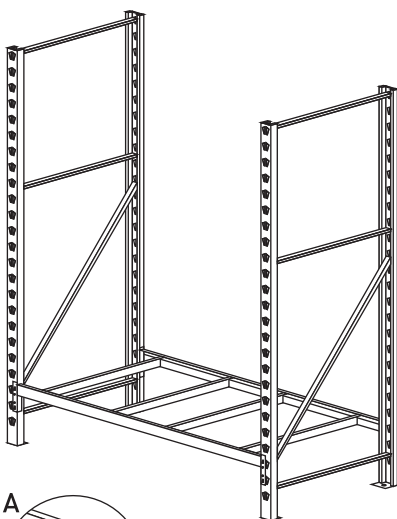
#### STEP 2:

Insert your first beam into the slots of one Upright. Then repeat on the other Upright. We suggest counting the amount of free slots below the beam to ensure the beam is level. Tap with a Rubber Mallet to ensure the notches in the beam are seated into the slots of both Uprights.



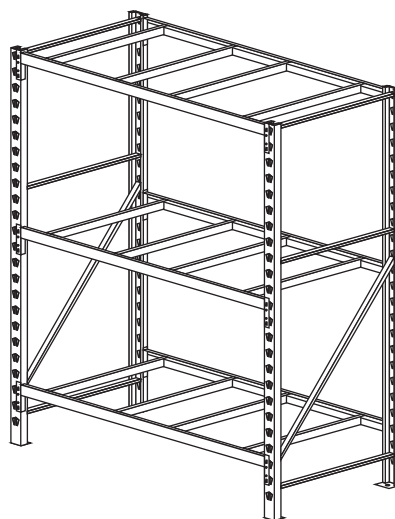
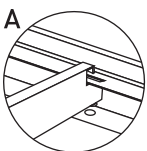
#### STEP 3:

Repeat the same steps as Step 2 ensuring that both Beams are at the same elevation.



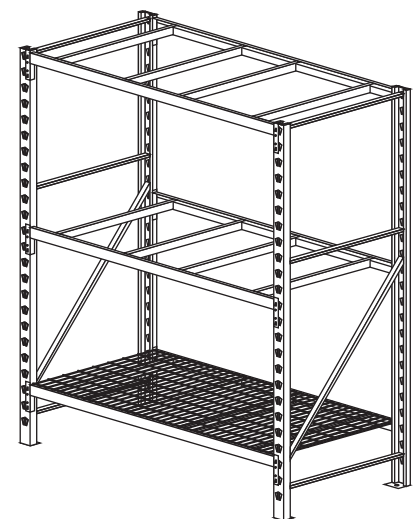
#### STEP 4:

Add Shelf Support Braces into holes on the recessed channel of each beam. There are four Shelf Support Braces per 1800mm beam (Inset A)



#### STEP 5:

Repeat Steps 2 to 4 for the remaining 2 shelves. You can choose your own Shelf/Beam elevations based on your own requirements.



#### STEP 6:

Once all Beams are secured with Braces, add one Safety Pin to each Beam/Upright junction. There is a hole that is created once each Beam is properly seated. Next add your wire shelves.