

# RACK IT

# 400KG

## 3 WIRE SHELF KIT

### ASSEMBLY INSTRUCTIONS

ITEM CODE: 02837

1893W X 1831H X 530mm D

**TOOLS REQUIRED:** Rubber Mallet (or a Hammer – gently does it)

**WARNING:** HANDLE CUT METAL EDGES CAREFULLY

#### SAFETY TIP

When assembling or installing this product wear protective gloves and eyewear

**SAFETY FIRST** - This Kit is fitted with a Ground Mounting Bracket to stop it doing anything crazy, like toppling over. On you, or someone you love. We strongly recommend you fix this Unit permanently to the ground or a wall. Because we don't know what your ground or walls look like, we don't include the fixing devices. If you're unsure what to use, ask a professional.

### YOUR HEADACHE-FREE GUIDE TO RACK IT LIKE A BOSS

Welcome to your Rack It 3 Wire Shelf Starter Kit. The beginning of your storage future starts here. Like all new beginnings, it's important you start out on the right foot – by checking off all the bits listed below. Read through every step (all of them, no shortcuts) before you start, and we guarantee you'll not just build it quicker, but you'll also build it better. **You've got this! Let's get this Starter Kit started.**

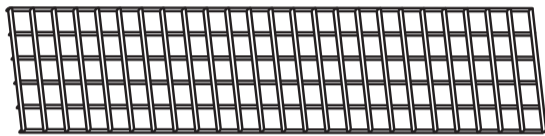
### PARTS LIST:



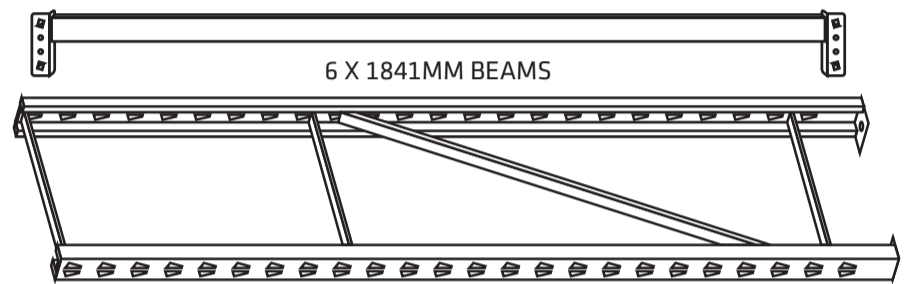
12 X SAFETY PINS



12 X SHELF SUPPORT BRACES



6 X WIRE SHELVES (895 W X 500MM D)

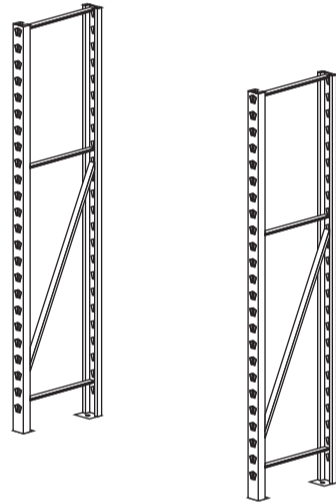


6 X 1841MM BEAMS

2 X UPRIGHTS (1831 H X 530MM D)

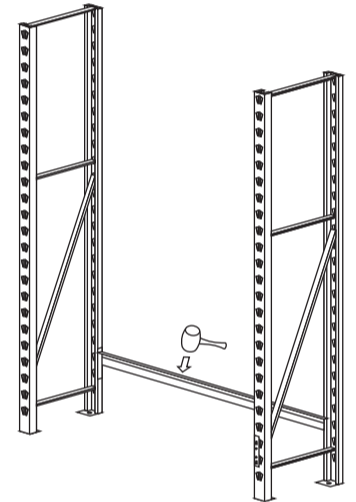
### STEP 1

Find a flat area near where you want your Kit to end up. This is your work area. Kick any clutter into another corner. Grab a friend or family member/helper and stand up both Uprights about 1800mm (roughly a human length) apart.



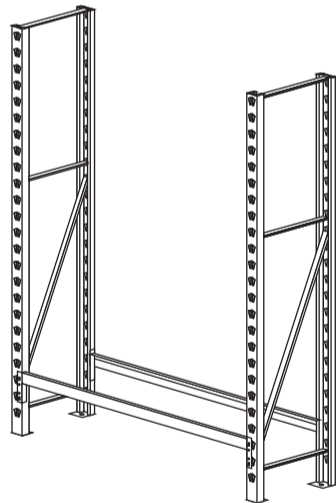
### STEP 2

Insert your first Beam into the Slots at the back of 1x Upright. Then (you guessed it) do the same again on the other side. Once both sides are slotted in, gently tap-tap into place with your Mallet.



### STEP 3

Repeat Step 2, this time on the front of your Unit.

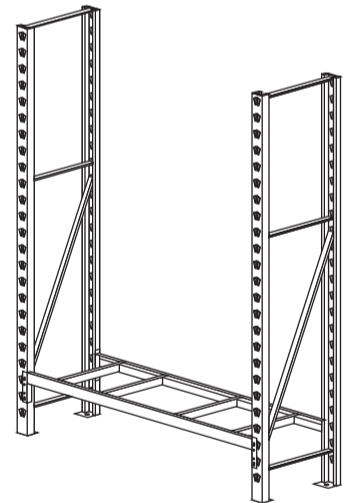
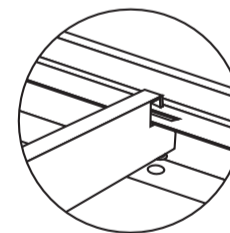


#### Hot tip:

Count the number of Slots up from the ground, so all of your Beams are the same heights and you don't need to find a Spirit Level.

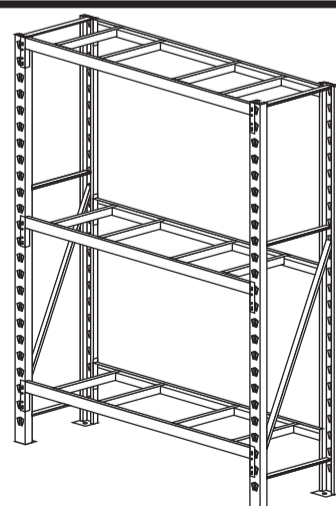
### STEP 4

Slide 4x Shelf Support Braces into the holes on your Bottom Beams (pay attention to the image detail here – you'll thank us later).



### STEP 5

Repeat the Beaming and Bracing process for your Middle Shelf and Top Shelf.

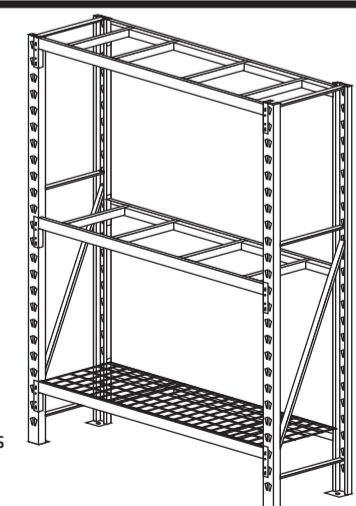


#### Hot tip:

Count the number of Slots up from the ground, so all of your Beams are the same heights and you (still) don't need to find a Spirit Level.

### STEP 6

Add a Safety Pin to each Beam-Upright junction. Place your Wire Shelves on top of your Braces and, viola! Your Rack It 3 Wire Shelf Starter Kit is complete.



#### Hot tip:

If your Safety Pin holes aren't lined up properly, the Pins won't slide in. A little tap-tap with your Mallet or Hammer will be enough to seat the joins, if required.

**Congratulations: you have now graduated to the level of Storage Beast.** Stand back and marvel at your Rack It 3 Wire Shelf Starter Kit. Don't forget, fix it permanently to the ground or a wall, to stop it doing anything crazy, like toppling over. Now is the time to enjoy tossing these instructions in the recycling. And remember, if you love your new Shelving Kit so much you just want to store even more of your best stuff up top, you can always add on another Kit, before you get carried away and overload this one. **We knew you had it in you!**