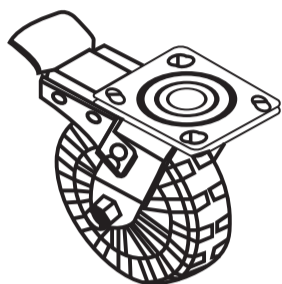


YOUR SIMPLE 2-STEP GUIDE INTO THE WORLD OF HIGH ROLLERS

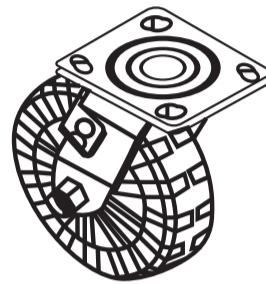
You've got this. We know because you take pride in your passions. Take care of your stuff. That's why you've already purchased a Rack It PRO 2 Door or 4 Drawer Cabinet (or both). And now these PRO Castors are going to take you into the realm of the high rollers. Because you're particular, we know you'll take the time to check off all the Parts listed below and to read through these Assembly Instructions before you start. Start your engines. **It's time to get rolling.**

CASTOR PARTS:

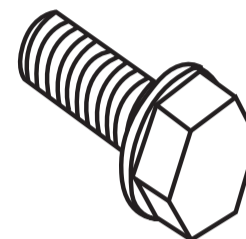
Take note of your Parts List here, and you'll notice you've got 2 types of Castors: Locking (A) and Swivel (B)



PART A - LOCKING CASTOR x 2



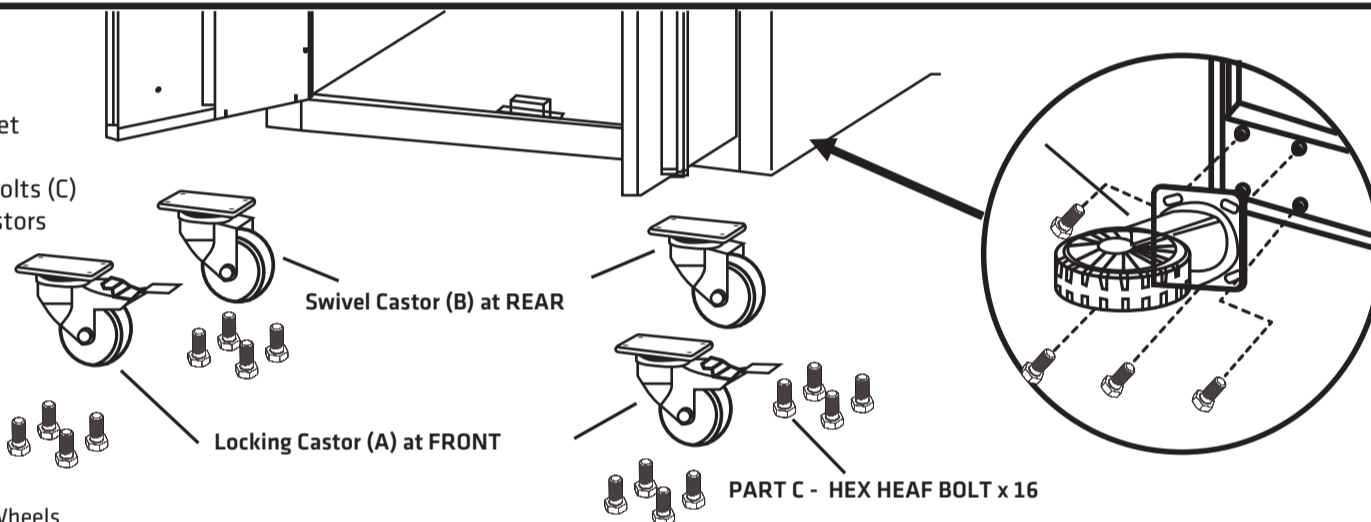
PART B - SWIVEL CASTOR x 2



PART C - HEX HEAD BOLT x 16

STEP 1

Tip your (preferably empty) 2 Door or 4 Drawer Cabinet on its side (gently does it). Fix your 2x Locking Castors onto the Front of your Cabinet with 4x Hex Bolts (C) and tighten with your Wrench. Fix your 2x Swivel Castors to the Back of your Cabinet and, viola! You're done.



Hot tip:

Before you bolt your PRO Castors home, make sure your Wheels are set-up as shown in the safety diagram: Brake Lever facing outwards and parallel with the sides of your Cabinet. To stop it doing anything crazy, like tipping over.

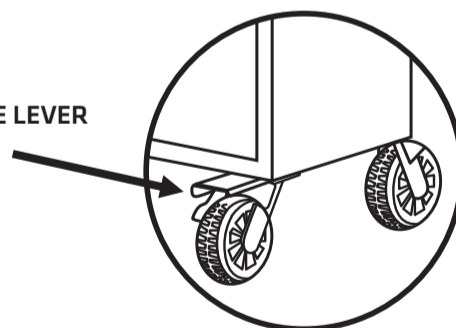
STEP 2

You've done it! Told you it was easy.

Time to stand your 2 Door or 4 Drawer Cabinet on its wheels and test its turning circle. Once you've rolled it to its new digs, and locked that Brake Lever down, you can take joy in filling your Cabinet with your precious stuff. Now is also the time to enjoy tossing these instructions in the recycling.

We knew you had it in you!

✓ **CORRECT**



✗ **INCORRECT**

