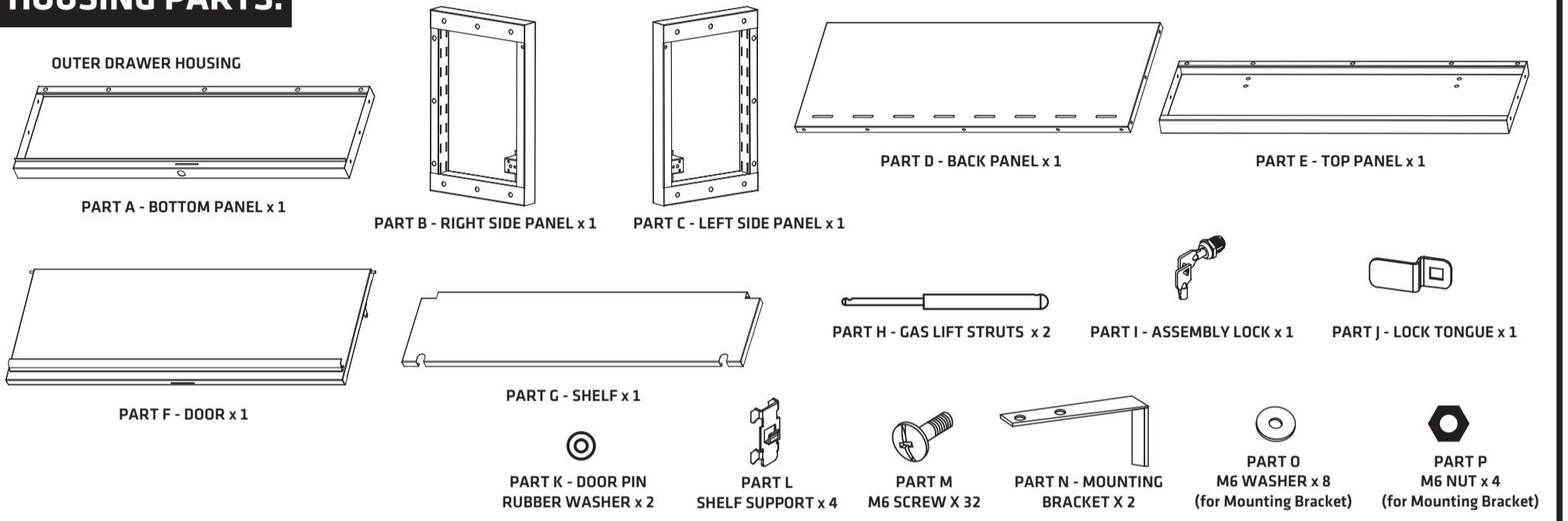


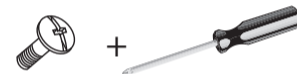
YOUR HEADACHE-FREE GUIDE TO RACK IT LIKE A BOSS

You've got this. We know because you take pride in your passions. Take care of your stuff. That's why you purchased this Rack It PRO Overhead Storage Unit. You're particular. And we like that. Because we know you'll take the time to check off all the Parts listed below and to read through these Assembly Instructions before you start. Cue Farnsey (or Beyoncé - whatever lifts you). **Let's do this.**

HOUSING PARTS:



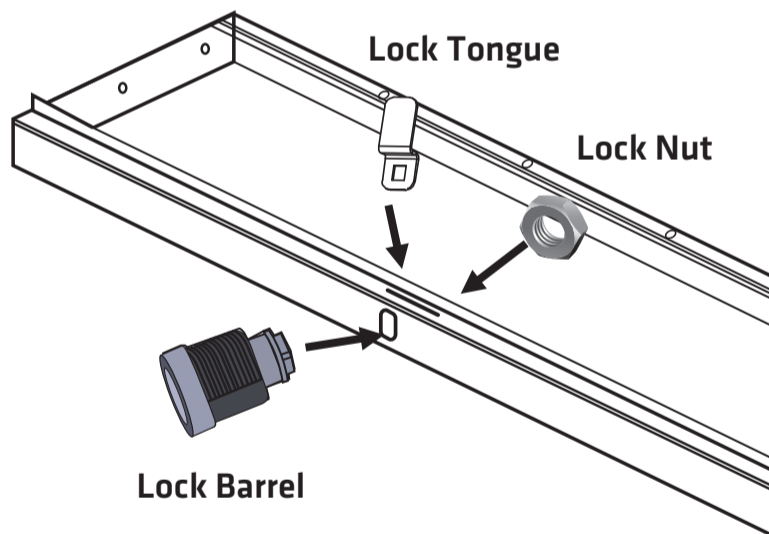
PLEASE NOTE: If using an electric screwdriver only loosely tighten screws, finish tightening with hand screwdriver to avoid damage.



STAGE 1: LOCK IT

STEP 1

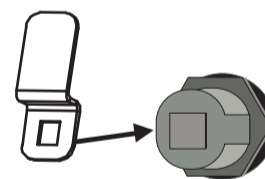
Remove the Lock Nut from the Lock Barrel (I) - the bit where the keys go - and slide the Barrel through the Hole in your Bottom Panel (A). Ever-so-slightly start the Lock Nut back onto the Barrel thread.



Store those keys away from prying eyes, it's time to build this thing!

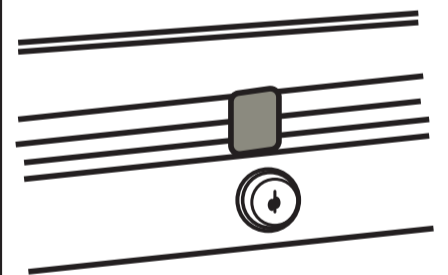
STEP 2

Insert the Lock Tongue (J) through the Slot in Bottom Panel (A) and fit the Square Lock Hole onto the Square Lock Spindle on the end of the Barrel.



STEP 3

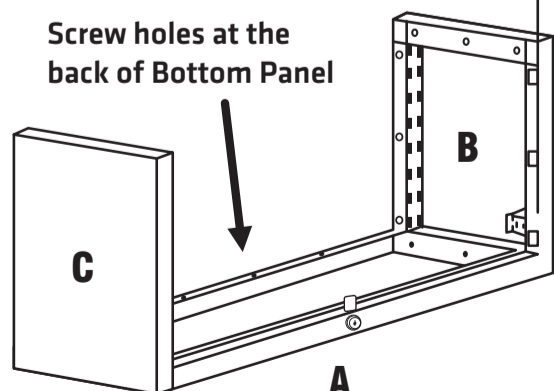
Finish tightening the Locking Nut onto the Barrel and, voila! It's now time to check your Locking mechanism works (as shown) with the keys provided.



STAGE 2: BOX IT

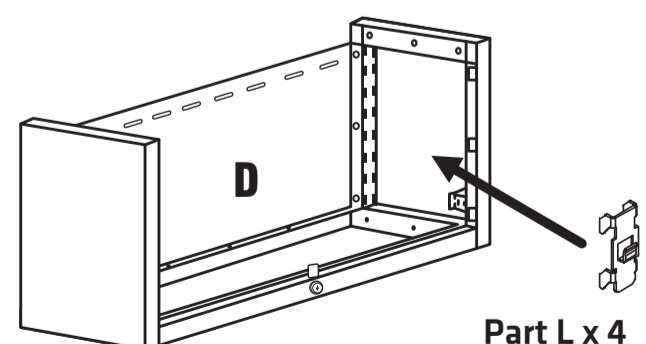
STEP 1

Place your Bottom panel (A) on a flat surface, and screw fix the Right and Left Side Panels (B & C).



STEP 2

Screw fix on your Back panel (D), then fit the 4x Shelf Supports (L) into the vertical Tracks located in each corner of the Unit.



Hot tips:

Count the number of Track Slots up from the bottom to ensure each Shelf Support is in line with its mates. You'll thank us later.

STEP 3

Note: The Shelf must be fitted with circular cut-outs facing the front. This allows for fitting of the Gas Struts.

Fit the Shelf (G) onto the Shelf Supports, with the circular cut-outs facing the Front.

G
FRONT

STEP 4

Make sure the 2 sets of pre-punched holes are towards the back

It's already time to attach your roof - or Top panel (E). Make sure the 2 sets of Pre-Punched Holes are towards the back. Screw fix it off and... You've boxed It. Cue roof shout! Let's move onto Stage 3...

STAGE 3: HINGE IT

STEP 1

Fit the Rubber Washers (K)s onto the 2x Hinge Pins (as shown) inside the door, so the Washer sits between the Door Frame and the Cabinet. Retract each Hinge Pin far enough to slip it into the Pre-Drilled Holes in the Cabinet Frame.

HINGE PIN

LEFT Hinge Pin RIGHT Hinge Pin

Fit Washer (J) on the Pin Fit Washer (J) on the Pin

STEP 2

Attach your Gas Struts (H): 1 end to the Pre-Fitted Bracket on the Door, and the other to the Mounting Block inside the Cabinet. Repeat on the both sides and your Unit is complete.

Door Bracket
Strut (H)
Mounting Block

STAGE 4: MOUNT IT

STEP 1

Fix the 2x Mounting Brackets (N) to the Pre-Punched Holes on the top of your Unit (as shown), using the provided M6 Nuts, Bolts and Washers (also as shown).

MOUNTING BRACKET (N) x 2

M6 WASHER (O) x 8
M6 NUT (P) x 4
M6 BOLT (M) x 4

Fix each Mounting Bracket using 2 sets of Nut, Bolt and Washer.

STEP 2

Hang the assembled Unit over your Rack It Beam by the Mounting Brackets, so that it hangs off the Top Beam and rests on a Bottom Beam.

FRONT VIEW **BACK VIEW**

You've done it! Cue warm inner feeling of satisfaction.

Stand back and marvel at your Rack It PRO Overhead Storage Unit. Now's the time to give yourself a hi-five, and hand-select the precious stuff you'll store up high (on the down-low). Now is also the time to enjoy tossing these instructions in the recycling.

We knew you had it in you!