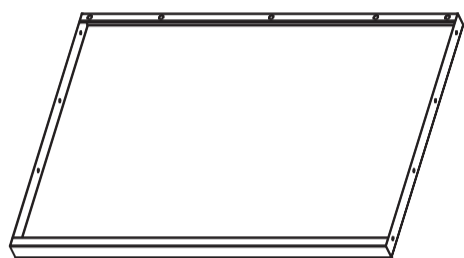


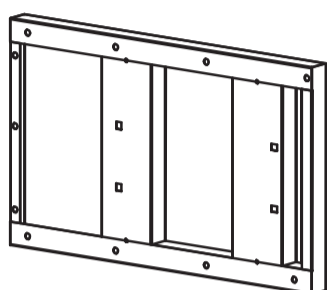
YOUR HEADACHE-FREE GUIDE TO RACK IT LIKE A BOSS

You've got this. We know because you take pride in your passions. Take care of your stuff. That's why you purchased this Rack It PRO Deep Single Drawer. You're particular. And we like that. Because we know you'll take the time to check off all the Parts listed below and to read through these Assembly Instructions before you start. Cue Farnsey (or Beyoncé - whatever lifts you). **Let's do this.**

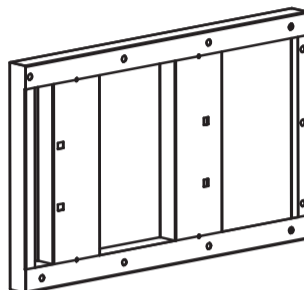
HOUSING PARTS:



PART A - BOTTOM PANEL x 1



PART B - RIGHT SIDE PANEL x 1



PART C - LEFT SIDE PANEL x 1



PART D - BACK PANEL x 1

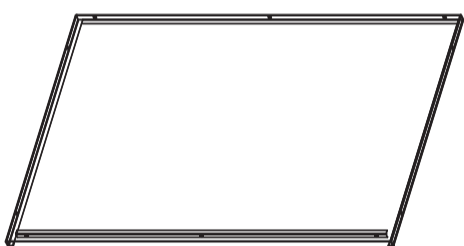


PART E - TOP PANEL x 1

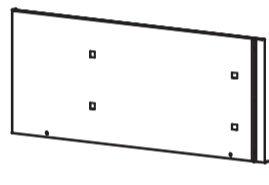


PART F - M6 SCREW x 32

DRAWER PARTS:

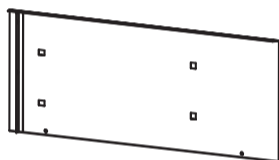


PART G
DRAWER BOTTOM x 1

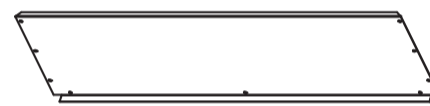


PART H
DRAWER LEFT PANEL x 1

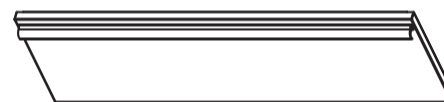
Front Edge



PART I
DRAWER RIGHT PANEL x 1



PART J - DRAWER BACK x 1



PART K - DRAWER FRONT x 1



PART L
DRAWER RUNNERS x 4



PART M - M4 SCREW x 20
(for Drawer Assembly)

PLEASE NOTE: If using an electric screwdriver only loosely tighten screws, finish tightening with hand screwdriver to avoid damage.

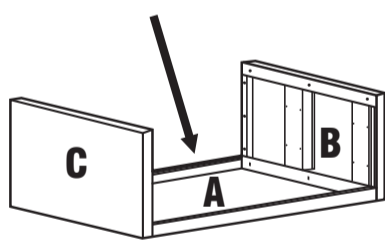


STAGE 1: BOX IT

STEP 1

Your Drawer starts here. With Bottom Panel (A). Like the foundations of a house. So when you're fixing on Side Panels (B & C), think: do I want to rush the foundations? The answer is, of course, no way.

Screw holes at the back of Bottom Panel A

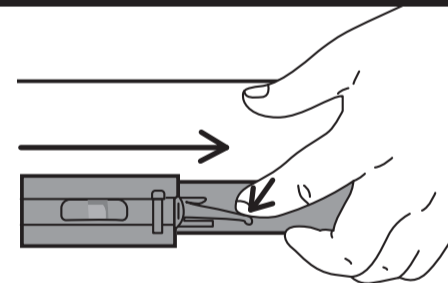


Hot tips:

1. Make sure the pre-punched screw holes on Bottom Panel (A) are to the back.
2. Make sure the narrowest gap between the boxy ridges on the interior and the front edge of each Side Panel is to the front.
3. Make sure the Square Slots points for the Drawer Runners line up. You'll thank us later.

STEP 2

Grab your 4x Drawer Runner (L)s, and gently pull the Inner Runner out to full extension. Push down on the black toggle and keep gently pulling until you feel the catch release and each Runner will separate into 2 parts.

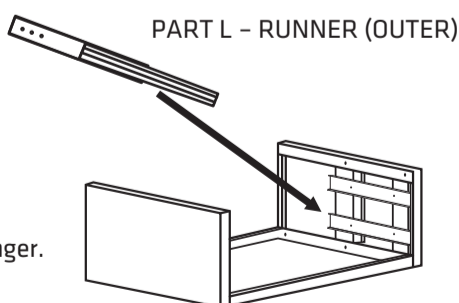


Congratulations, you've unlocked the secret to your Runners' assembly success: each Runner has an Inner bit and an Outer bit.

1. The 4x Outer Runners fix to the inside of your Drawer Unit walls.
2. The 4x Inner Runners fix to the outside of your Drawers.

STEP 3

Fix the Outer Runners to the Square Slots you diligently lined up back in Stage 1. Slide the back Tab into back Square Slot, then hook the front Tab over over the top of the front Slot so it hangs like a, um, hanger.

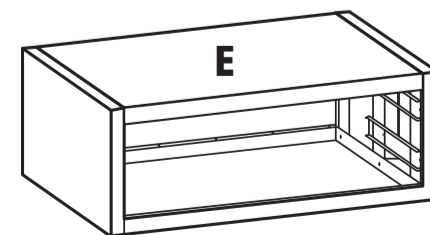
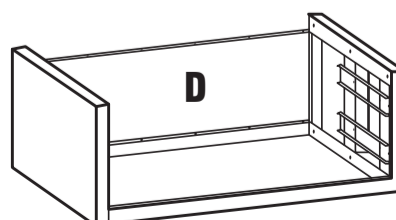


Hot tips:

1. You can tell the Right Hand Outer Runners from the Left by the way they hang off the Slots (if they don't hang in place they're meant for the other side).
2. Once all 4 Outer Runners are in place, check the Inner Runners slide in and out easily (like a Sunday morning).

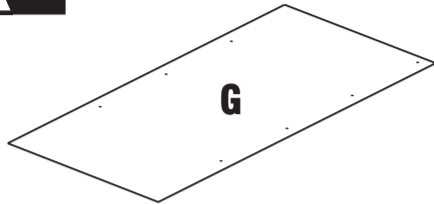
STEP 4

Fix off your Back Panel (D), followed by your Top panel (E). You've boxed It. Cue roof shout! And let's move onto Stage 2...

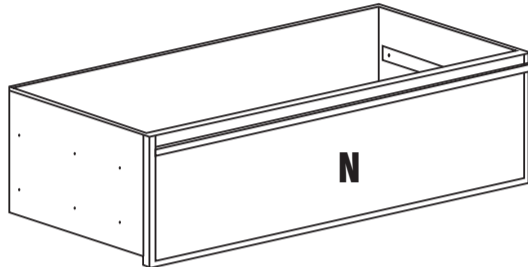


STAGE 2: DRAWER IT

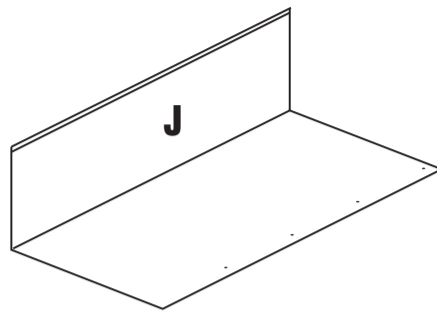
STEP 1



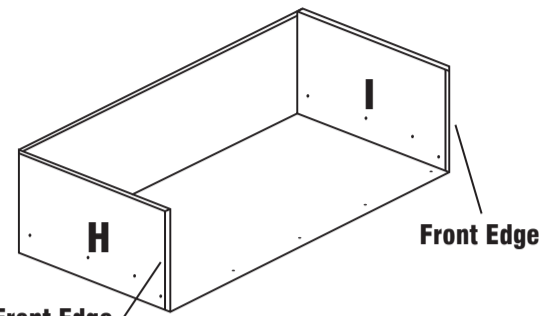
Place your Drawer Bottom (G) on your familiar flat surface. Flat side up! And with the 3x threaded holes to the back.



Followed your Small Front Panel (N).

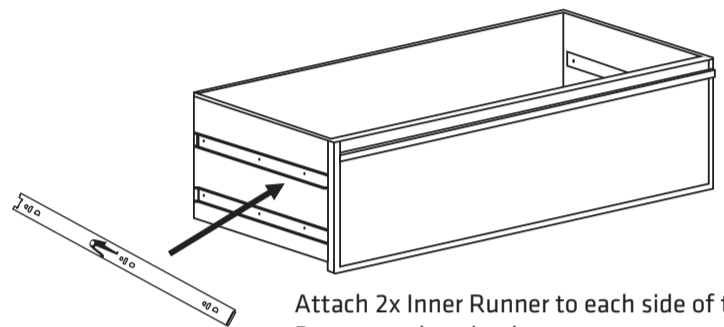


Screw fix on your Back Panel (J) first (this is important).



Then fix your Side Panels (H & I).

NOTE CORRECT POSITIONING OF RUNNER



Attach 2x Inner Runner to each side of the Drawer, and you're done.

Hot tips:

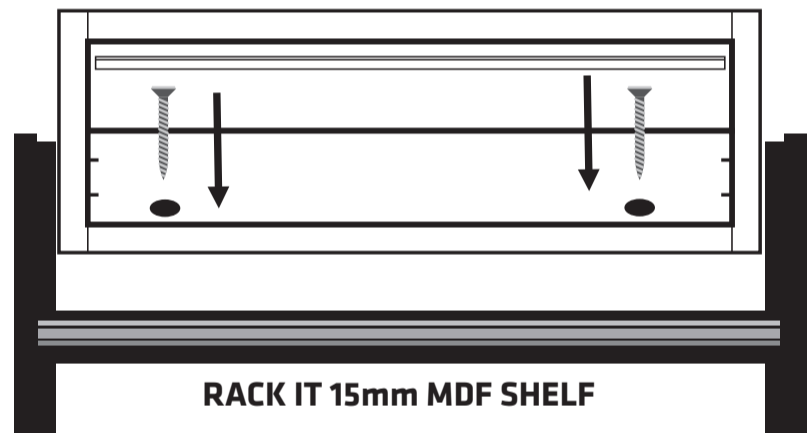
1. Look at the Parts List on Page 1 to easily differentiate between your Right and Left Side Panels.
2. When you're attaching the Inner Runners, be sure they're the right way around (see diagram) and the front attachment hook is facing upwards.

STAGE 3: RACK IT

STEP 1

If you're screw fitting your Drawer to a Rack It MDF Shelf, now is the time to do so. Pick 2x self-tapping screws no longer than 15mm, and fix the Unit down through the 2x Screw Holes in the Bottom Panel.

Fix screws through the holes



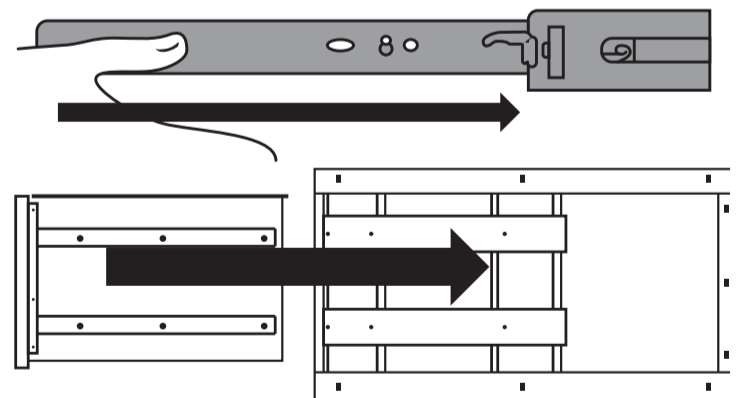
RACK IT 15mm MDF SHELF

STEP 2

The final assembly is made easier (and more enjoyable) with a friend. Celebrate together as you slide this baby home... Carefully line up the Inner and Outer Runners on the Drawer. Once all 4x Runners are touching, gently push the Drawer closed. Easy does it: you might need to slightly open and close the Drawer a few times before it all falls into place.

Hot tips:

This can be fiddly, it's way easier with 2x people. Be patient, and kind to one another. We're almost done.



You've done it! Cue warm inner feeling of satisfaction.

Stand back and marvel at your Rack It PRO Deep Single Drawer. Now all that's left to do is select your precious stuff to store inside. Now is also the time to enjoy tossing these instructions in the recycling.

We knew you had it in you!