

RACK IT

1000KG

3 WIRE SHELF KIT ASSEMBLY INSTRUCTIONS

ITEM CODE: 02838

1938W X 2135H X 645D mm

TOOLS REQUIRED: Rubber Mallet (or a Hammer – gently does it)

WARNING: HANDLE CUT METAL EDGES CAREFULLY

SAFETY TIP

When assembling or installing this product wear protective gloves and eyewear

YOUR HEADACHE-FREE GUIDE TO RACK IT LIKE A BOSS

You've got this! We know because you take pride in your passions. Take care of your stuff. That's why you purchased this Rack It 3 Shelf Wire Starter Kit. You're particular. And we like that. Because we know you'll take the time to check off all the Parts listed below and to read through these Assembly Instructions before you start. Cue Farnsey (or Beyoncé – whatever lifts you). **Let's get this Starter Kit started.**

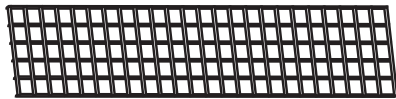
PARTS LIST:



12 X SAFETY



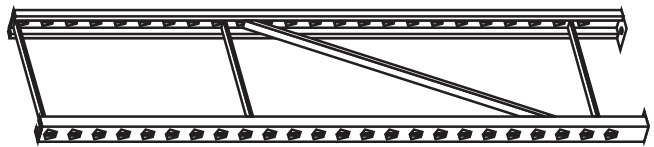
12 X SHELF SUPPORT BRACES



6 X WIRE SHELVES (896 W X 594D MM)



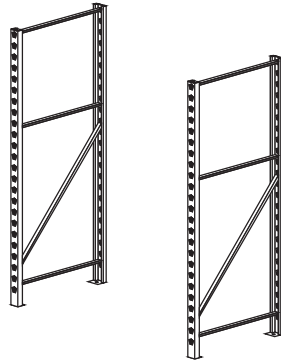
6 X 1872MM BEAMS



2 X UPRIGHTS (2135 H X 645D MM)

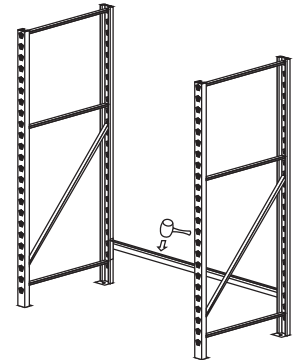
STEP 1

Find a flat area near where you want your Kit to end up. This is your work area. Kick any clutter into another corner. Grab a friend or family member/helper and stand up both Uprights about 1800mm (roughly a human length) apart.



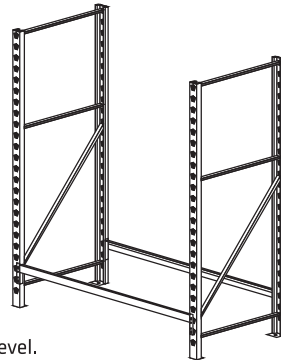
STEP 2

Insert your first Beam into the Slots at the back of 1x Upright. Then (you guessed it) do the same again on the other side. Once both sides are slotted in, gently tap-tap into place with your Mallet.



STEP 3

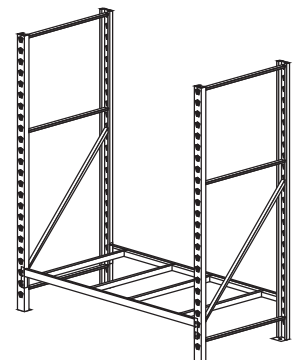
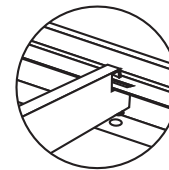
Repeat Step 2, this time on the front of your Kit.



Hot tip: Count the number of Slots up from the ground, so all of your Beams are the same heights and you don't need to find a Spirit Level.

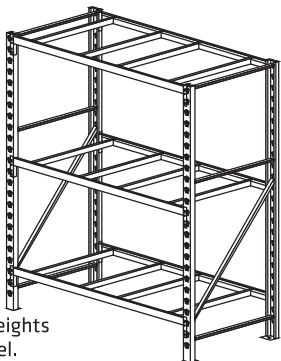
STEP 4

Slide 4x Shelf Support Braces into the holes on your Bottom Beams (pay attention to the image detail here – you'll thank us later).



STEP 5

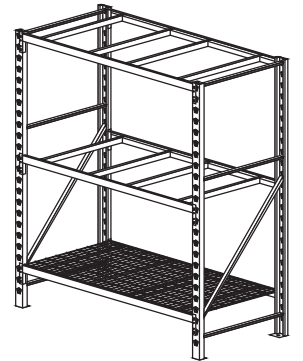
Repeat the Beaming and Bracing process for your Middle Shelf and Top Shelf.



Hot tip: Count the number of Slots up from the ground, so all of your Beams are the same heights and you (still) don't need to find a Spirit Level.

STEP 6

Add a Safety Pin to each Beam-Upright junction. Place your Wire Shelves on top of your braces and, voila, your Rack It 3 Wire Shelf Starter Kit is complete!



Hot tip: If your Safety Pin holes aren't lined up properly, the Pins won't slide in. A little tap-tap with your Mallet or Hammer will be enough to seat the joins, if required.

Congratulations, you have now graduated to the level of Storage Beast! Stand back and marvel at your Rack It 3 Wire Shelf Starter Kit. Don't forget, fix it permanently to the ground or a wall, to stop it doing anything crazy, like toppling over. Now is the time to enjoy tossing these instructions in the recycling. And remember, if you love your new shelving Kit so much you just want to store even more of your best stuff up top, you can always add on another Kit, before you get carried away and overload this one. **We knew you had it in you!**

MADE IN CHINA | DISTRIBUTED BY:

Visy Retail Services Pty Ltd (AU): 1300 734 714

Visy Board Limited (NZ): 0800 443 058

AUSTRALIA: RACK-IT.COM.AU

NEW ZEALAND: RACK-IT.CO.NZ

RACK IT

1000KG

3 WIRE SHELF KIT

ASSEMBLY INSTRUCTIONS

ITEM CODE: 02838

1938W X 2135H X 645D mm

TOOLS REQUIRED: Rubber Mallet
(or a Hammer - gently does it)

WARNING: HANDLE CUT METAL
EDGES CAREFULLY

SAFETY TIP

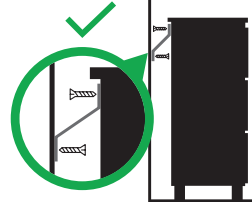
When assembling or installing this product wear protective gloves and eyewear



SAFETY FIRST- This Kit is fitted with a Ground Mounting Bracket to stop it doing anything crazy, like toppling over. On you, or someone you love. We strongly recommend you fix this Kit permanently to the ground or a wall. Because we don't know what your ground or walls look like, we don't include the fixing devices. If you're unsure what to use, ask a professional.

WARNING

NEVER put a TV
on this furniture



Children have died from furniture tipover.

- ALWAYS secure this furniture with an anchor device.
- NEVER allow children to stand, climb or hang on drawers, doors, or shelves.
- NEVER open more than one drawer at a time.
- Place heavy items down low.